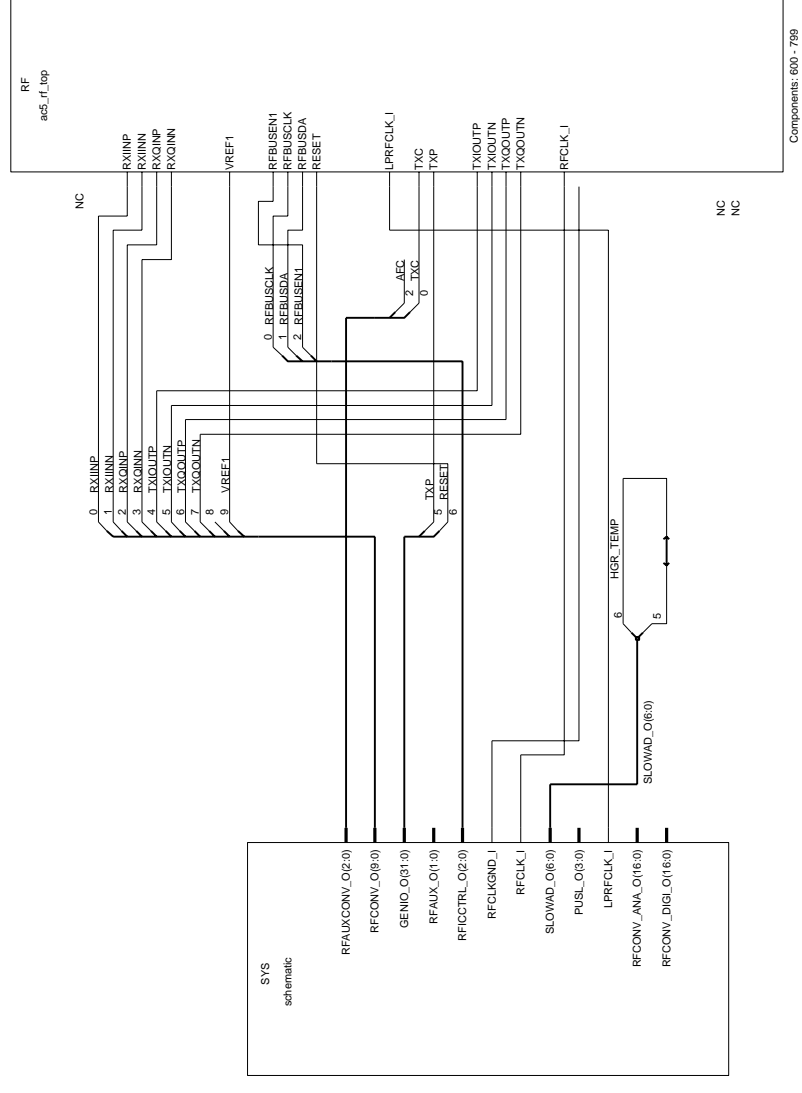


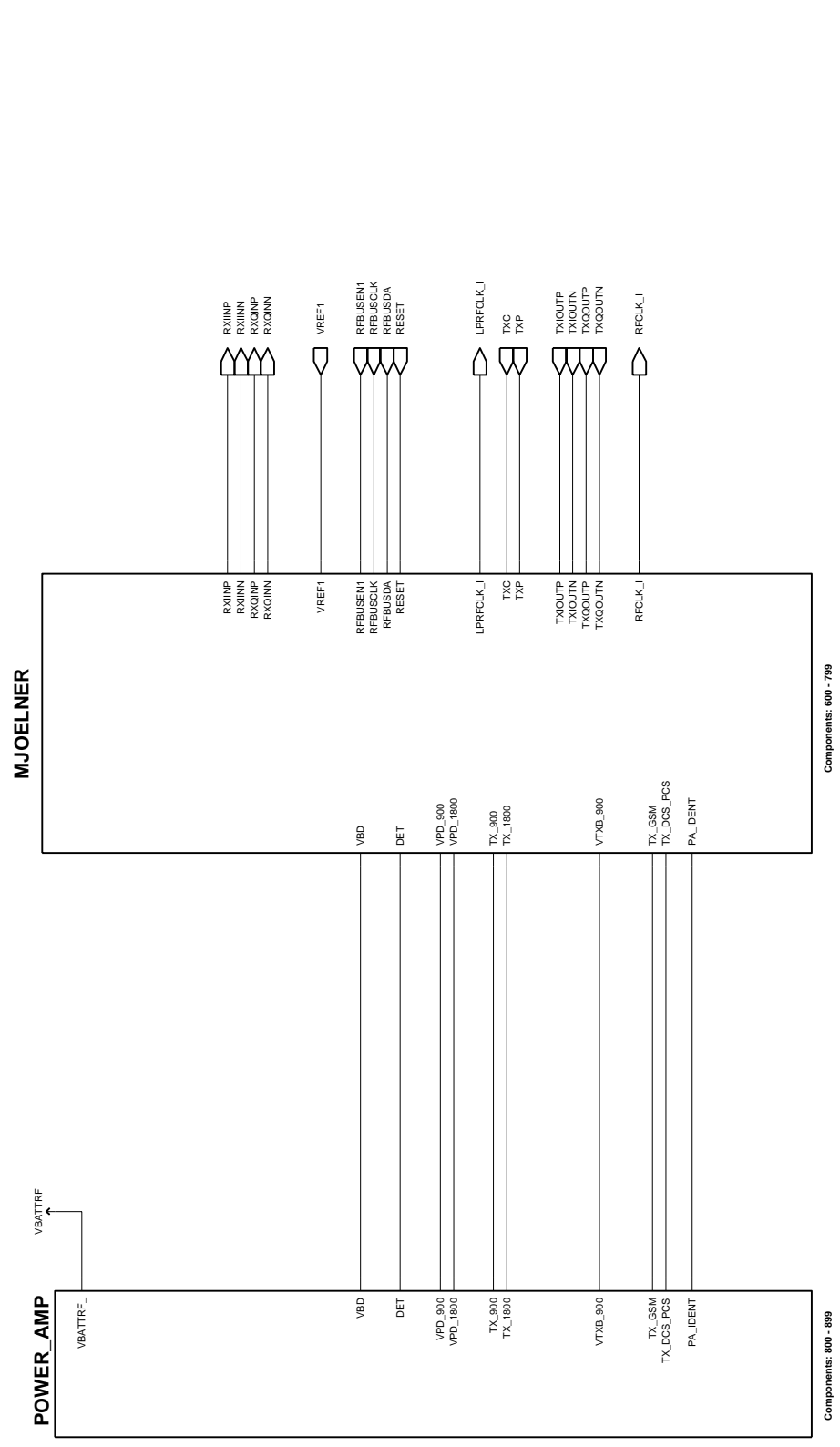
11 - SCHEMATICS

Table of Contents

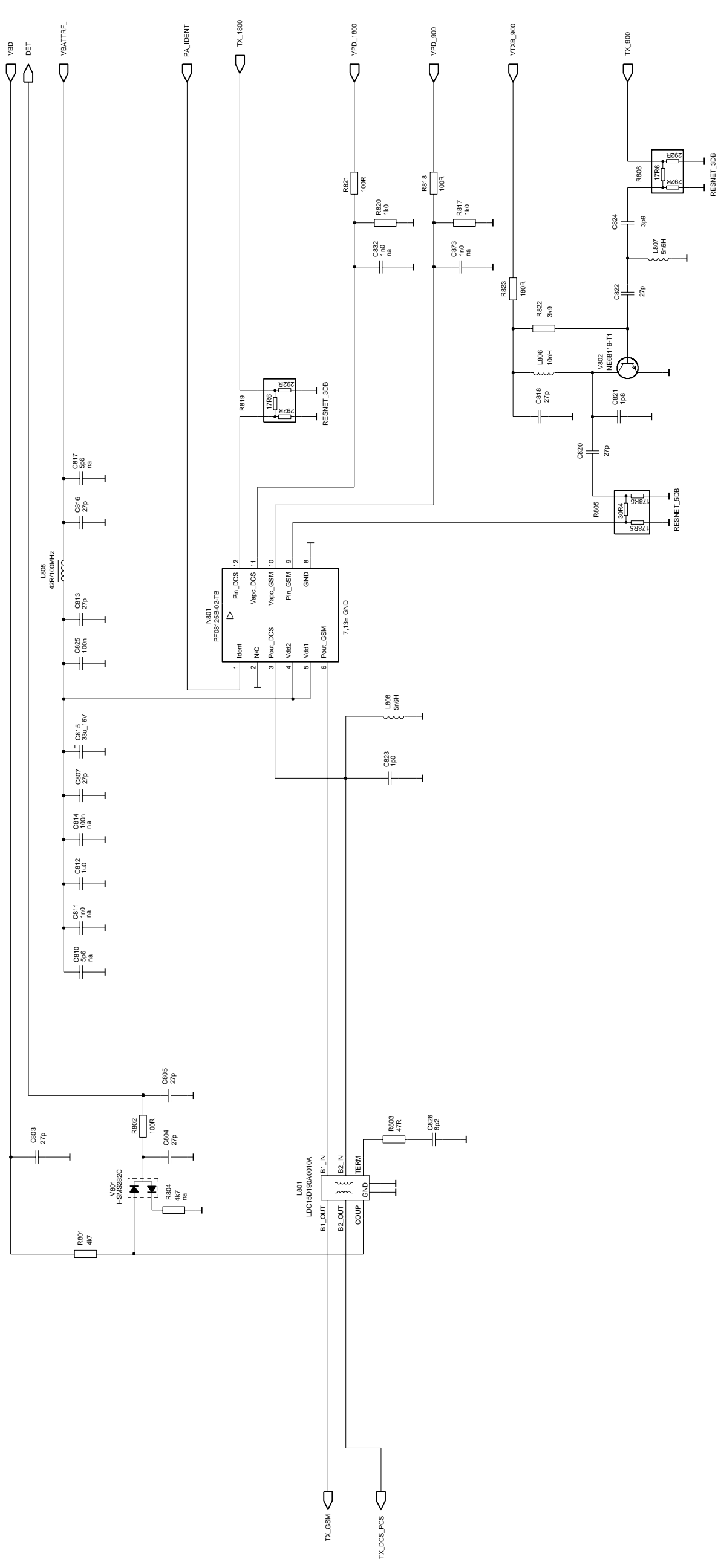
	Page No
Schematics (Table of Contents)	11-1
Block Diagram	11-2
RF (ac5a_15)	11-3
Power Amplifier (ac5a_15)	11-4
Mjoelner (ac5a_15)	11-5
DCT4 Common Baseband	11-6
DCT4 SIM Interface	11-7
Dual Power Management	11-8
Light Filtering	11-9
Low Power RF Module	11-10
UPP 8M Implementation	11-11
IR Module Based Implementation	11-12
Flash Memory 64 Mbit	11-13
GSM RF Baseband Interface	11-14
Audio Interface	11-15
DCT4 System Connector	11-16
DCT4 Test Interface	11-17
DCT4 User Interface	11-18

Block Diagram

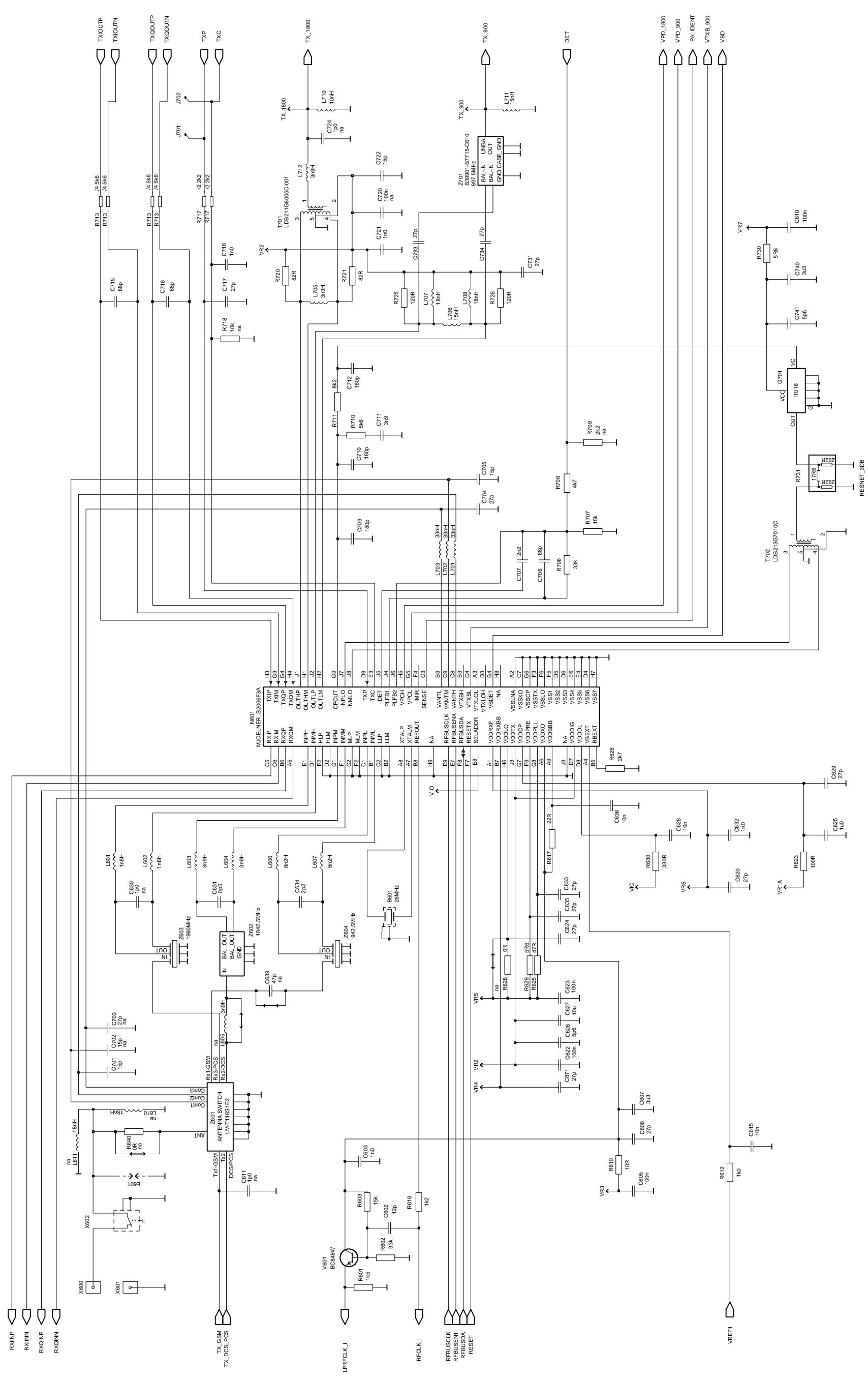




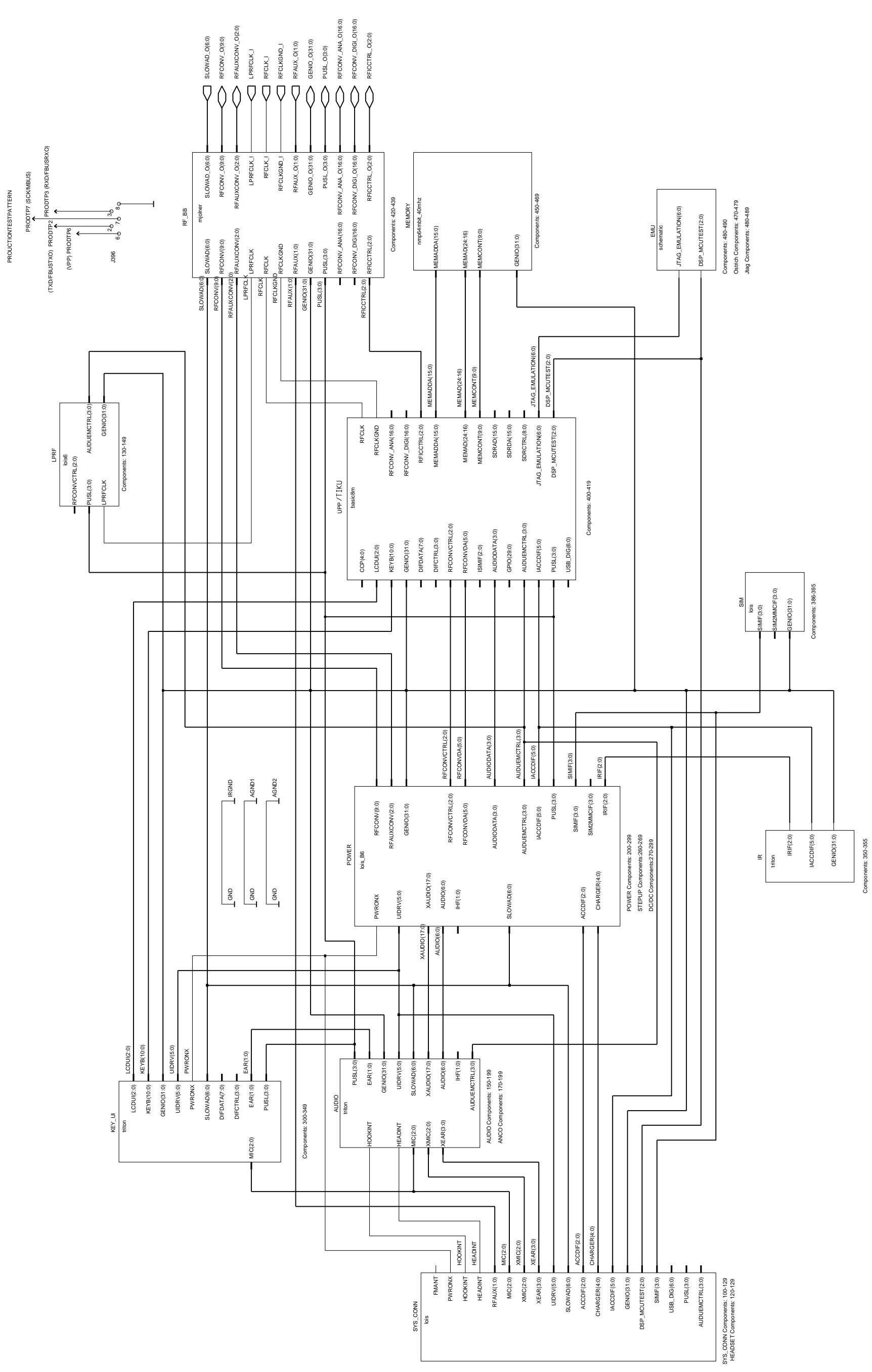
Power Amplifier (ac5a_15)

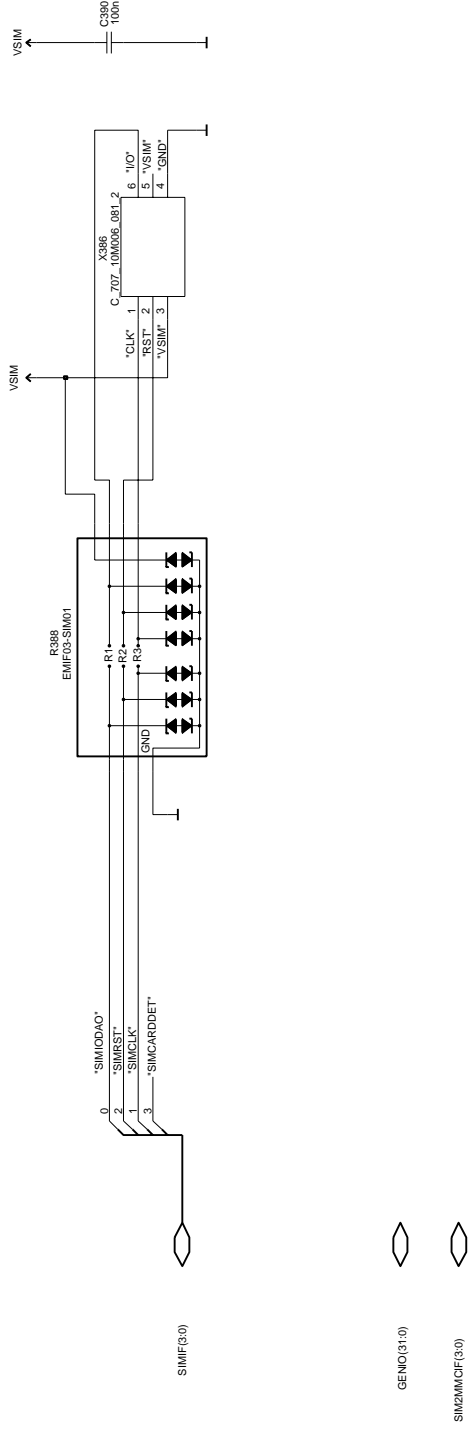


Mjoelner (ac5a_15)

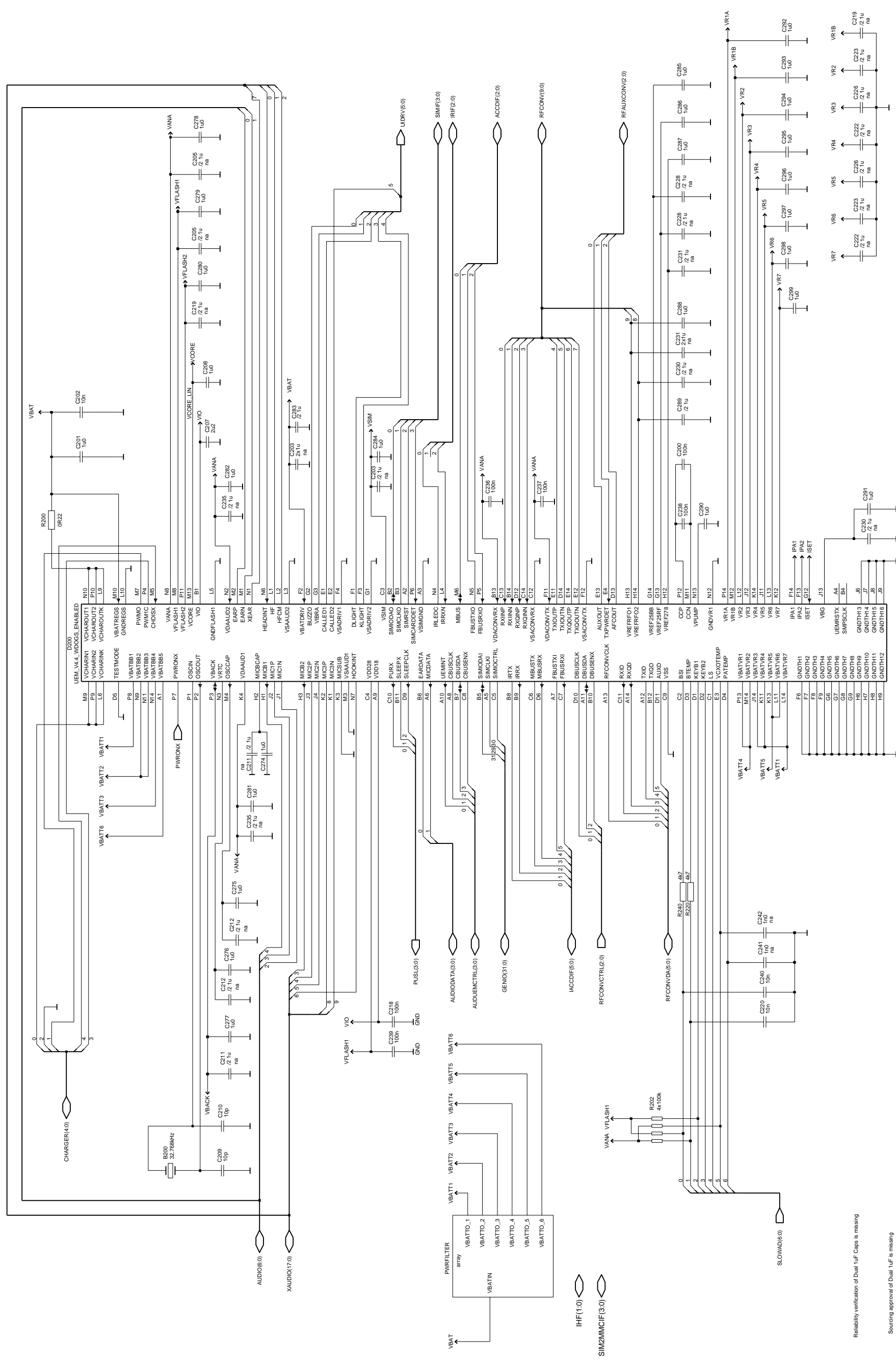


DCT4 Common Baseband



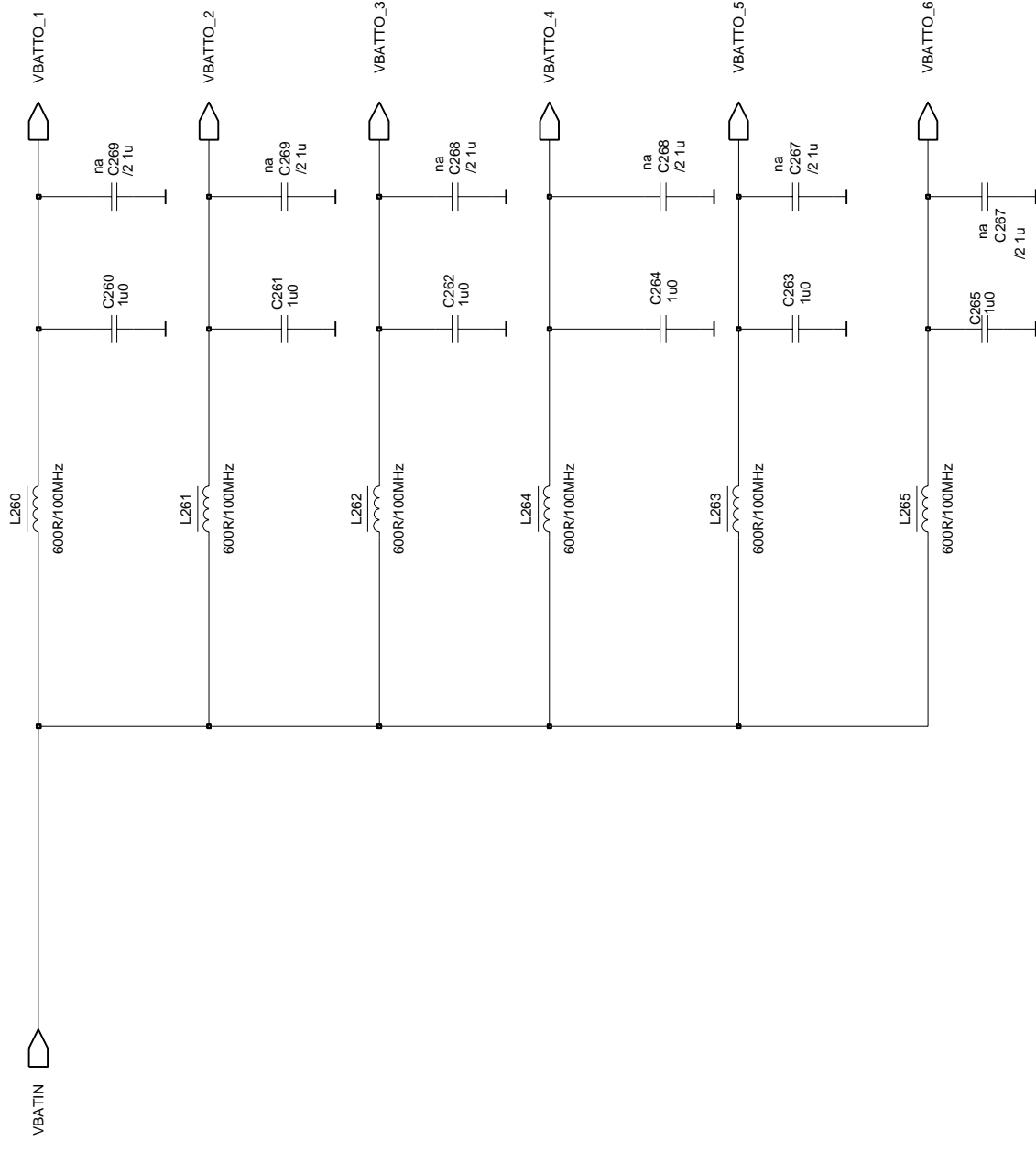


Dual Power Management



Reliability verification of Dual 1uF Caps is missing

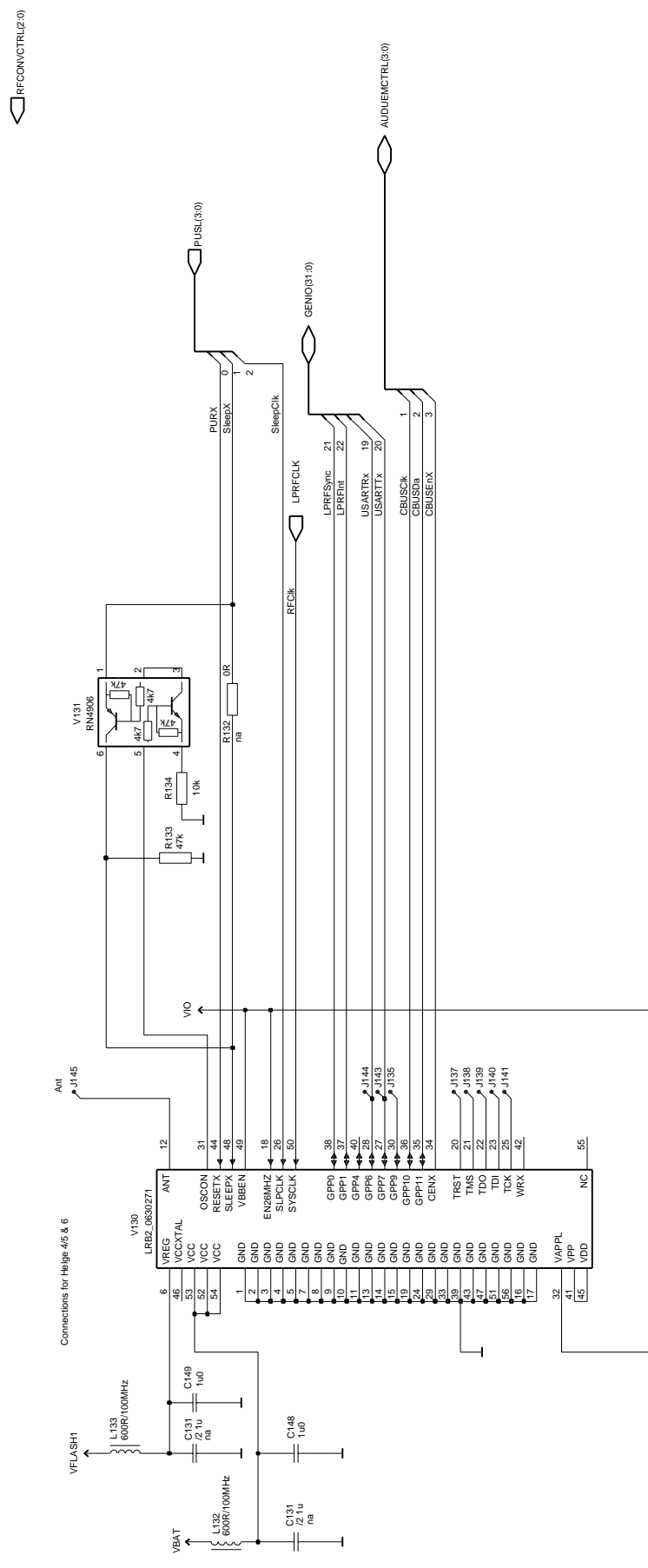
Sourcing approval of Dual 1uF is missing



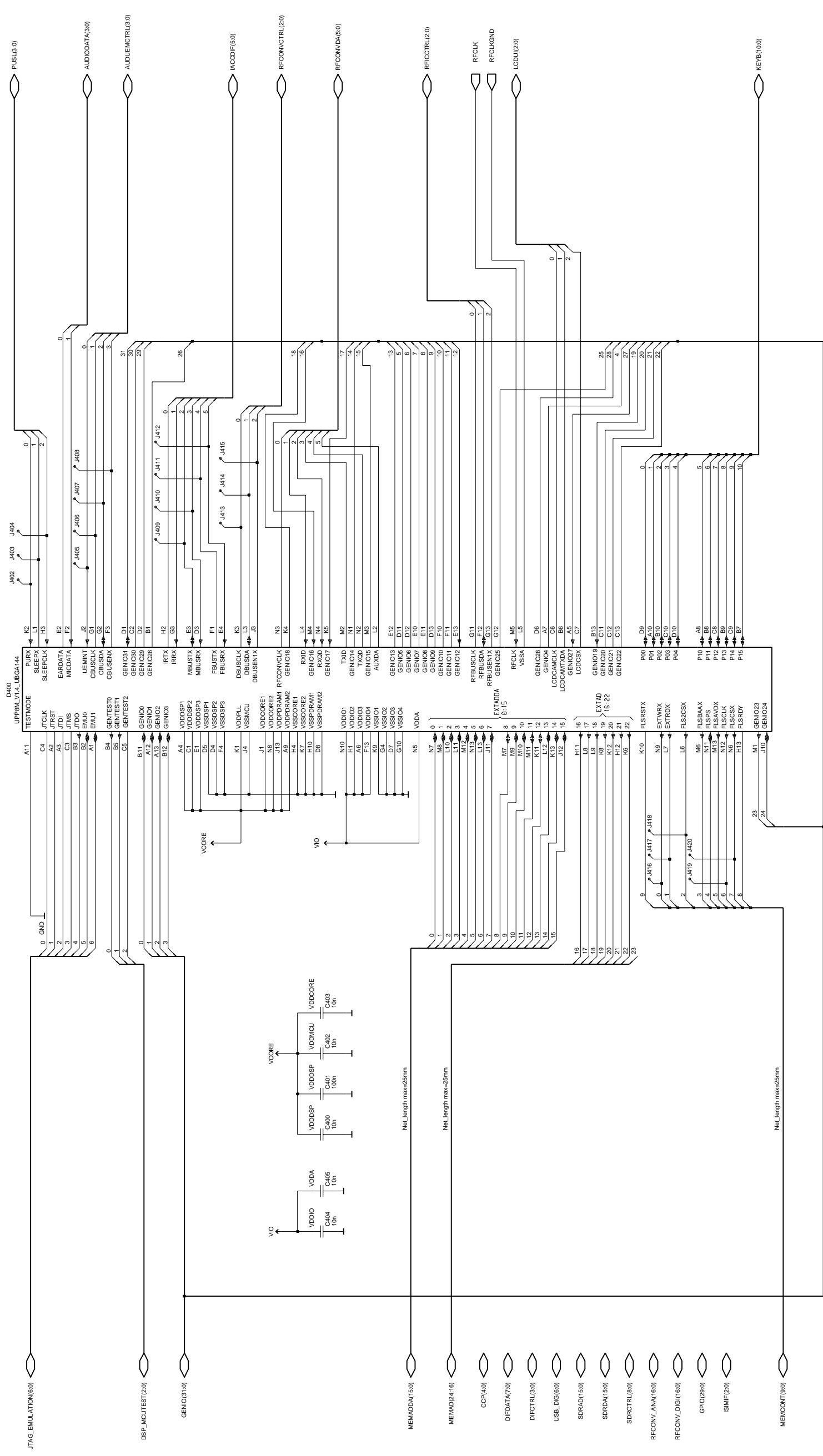
All dual capacitors have alternative discrete capacitors

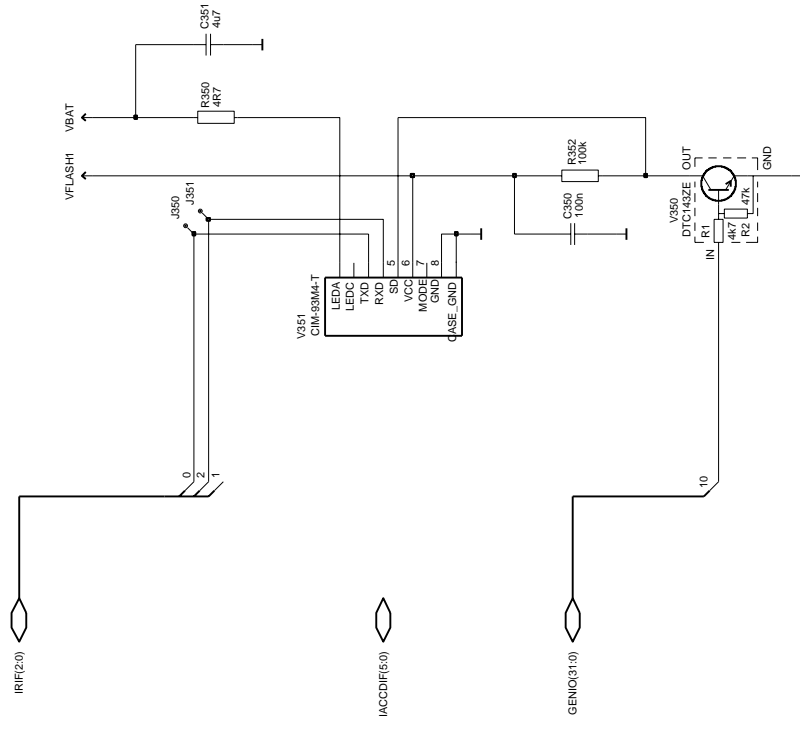
These capacitors should be placed in layout

so that they will overlap

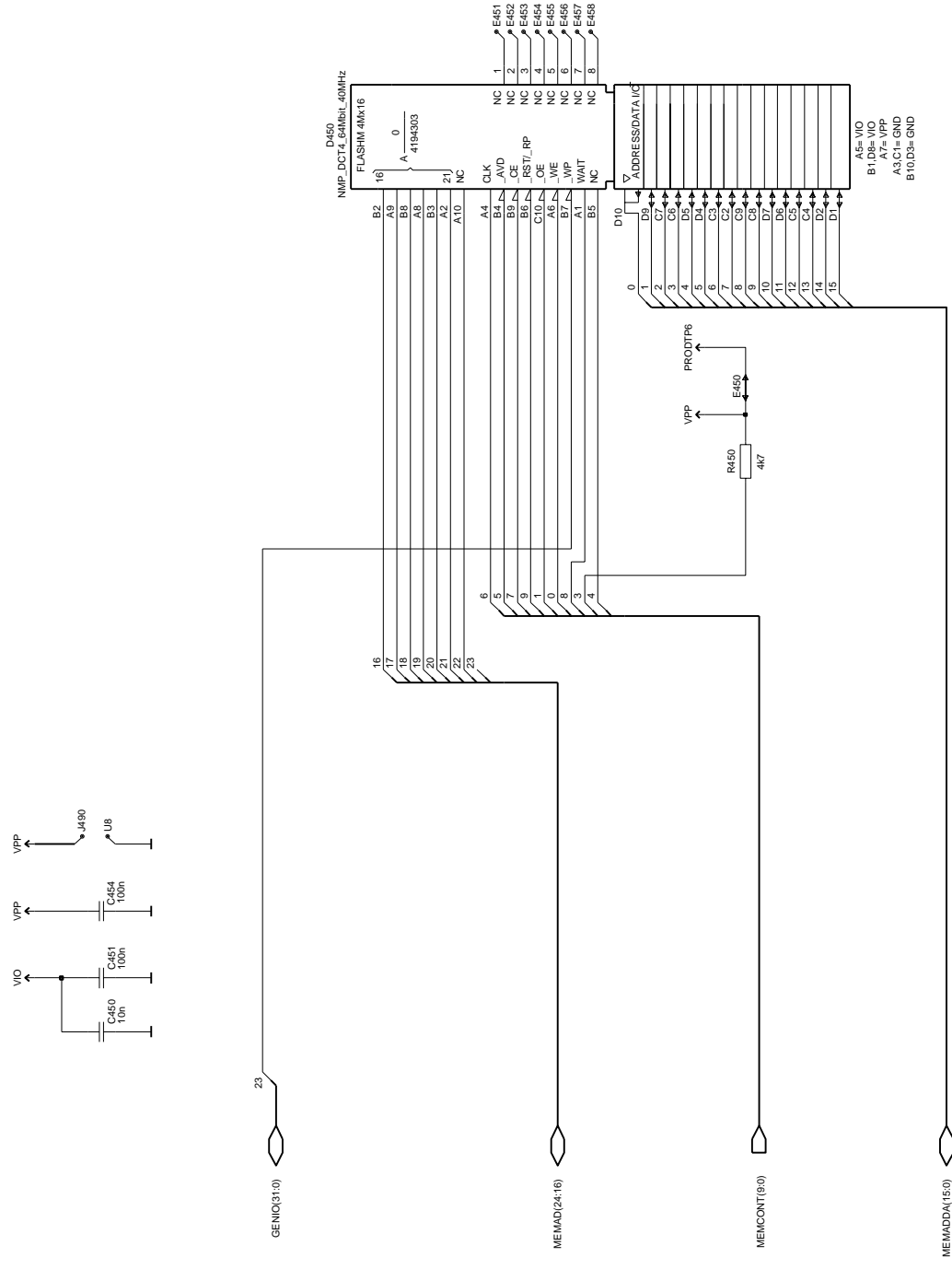


UPP 8M Implementation

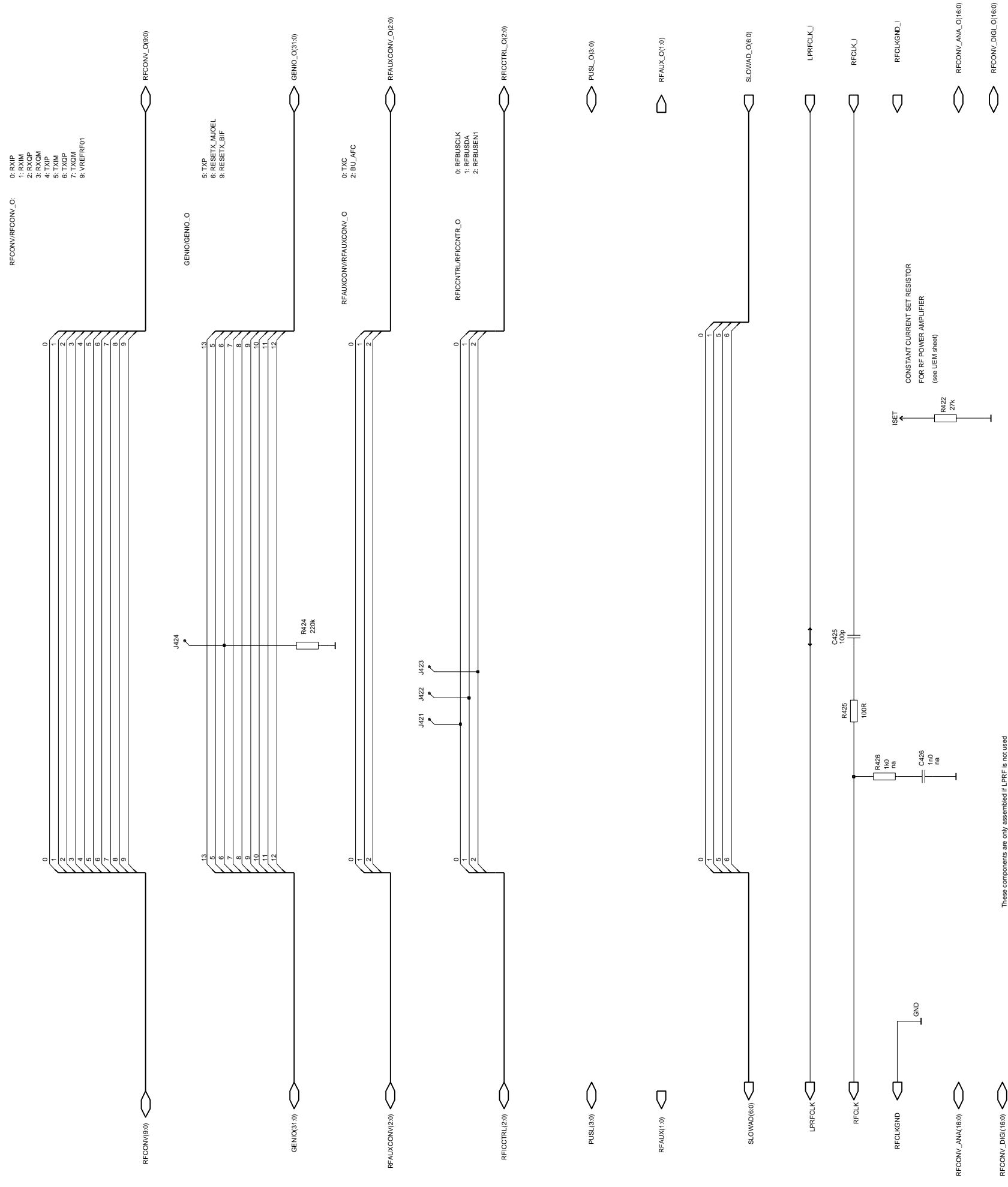




Flash Memory 64 Mbit



GSM RF Baseband Interface



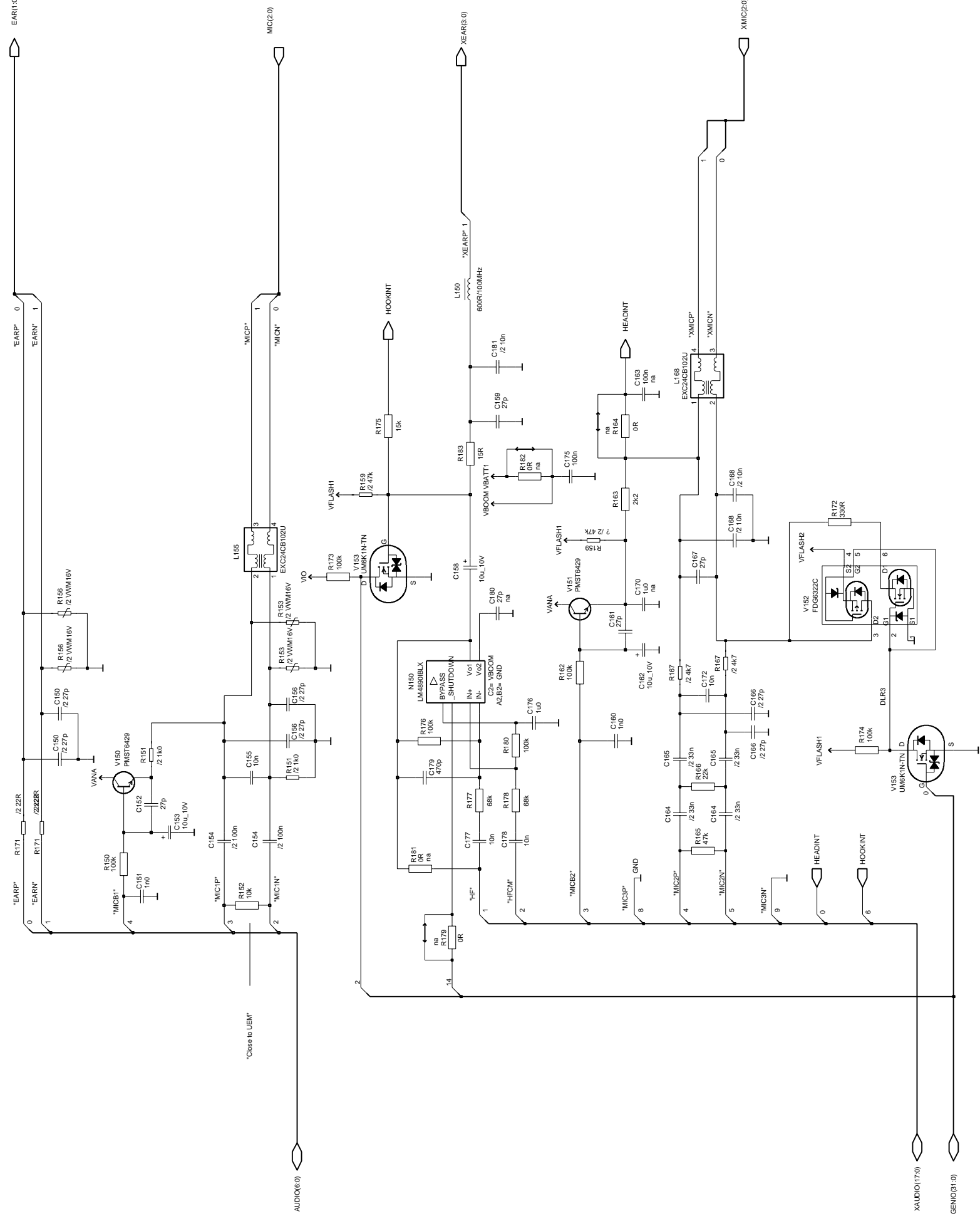
AUDJEMCTRL(S:0)

SLOWAD(S:0)

PULSE(S:0)

UDRV(S:0)

HF(S:0)



DCT4 System Connector

